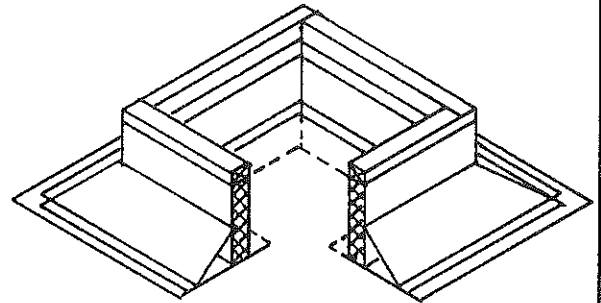
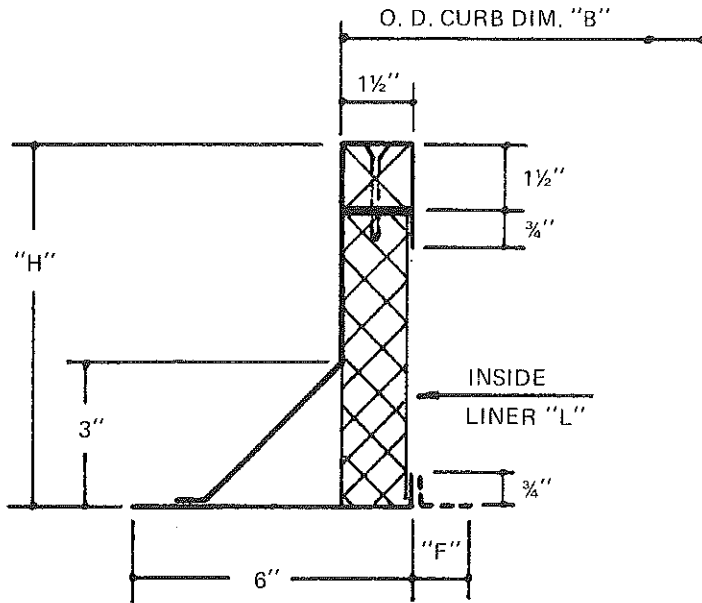


# NORLOCK TYPE "C"

# INSULATED ROOF CURB



"H" 8" STANDARD

## SCHEDULE

## STANDARD FEATURES

| QTY. | "A"<br>EQPT.<br>BASE<br>I.D. | "B"<br>CURB<br>BASE<br>O.D. | "H"<br>OVER-<br>ALL<br>HEIGHT | "F"<br>DMPR.<br>FLANGE<br>SIZE | OPTIONS<br>BY<br>LETTERS |
|------|------------------------------|-----------------------------|-------------------------------|--------------------------------|--------------------------|
|      |                              |                             |                               |                                |                          |
|      |                              |                             |                               |                                |                          |
|      |                              |                             |                               |                                |                          |
|      |                              |                             |                               |                                |                          |
|      |                              |                             |                               |                                |                          |
|      |                              |                             |                               |                                |                          |
|      |                              |                             |                               |                                |                          |
|      |                              |                             |                               |                                |                          |
|      |                              |                             |                               |                                |                          |
|      |                              |                             |                               |                                |                          |

- .063 ALUM.  OR 18 GA. GALV.   
IN SIZES THROUGH 48" x 48"
  - .080 ALUM.  OR 16 GA. GALV.   
IN SIZES 49" x 49" THROUGH 72" x 72"
  - 1 1/2" THICK RIGID BOARD INSULATION
  - 1 1/2" x 1 1/2" WOOD NAILER
- OPTIONS —
- "F" — DAMPER FLANGE
- "L" — 22 GA. INSIDE LINER
- "HX" — EXTENDED CURB HT. OVER 8" STANDARD

# NORLOCK

2651 St. Marys Avenue

## METAL PRODUCTS

Omaha, Nebraska 68105

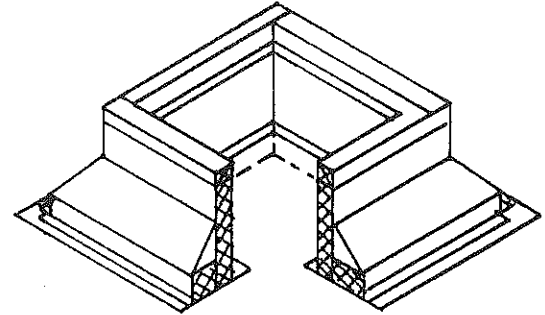
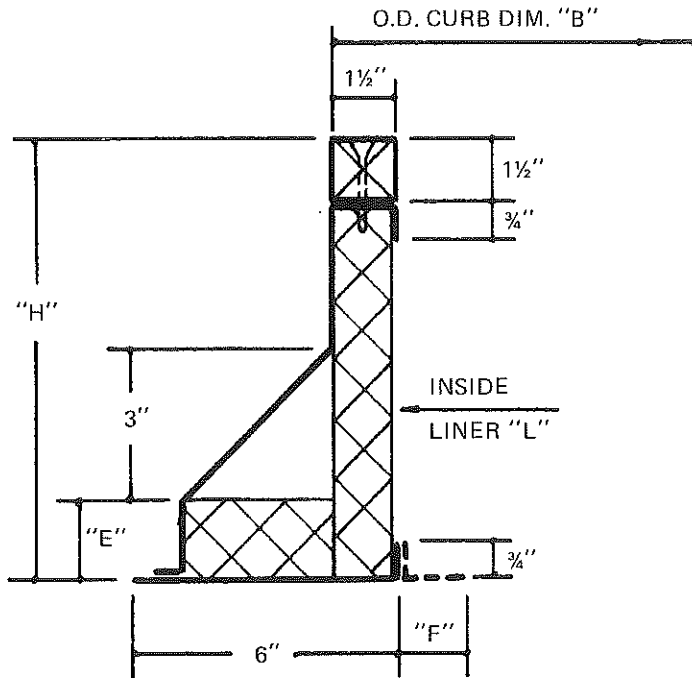
JOB \_\_\_\_\_ JOB NO. \_\_\_\_\_

ADDRESS \_\_\_\_\_ CONTRACTOR \_\_\_\_\_

CITY \_\_\_\_\_ DATE \_\_\_\_\_ DWG. \_\_\_\_\_

# NORLOCK TYPE "CE"

# INSULATED ROOF CURB



"H" = 8" + "E" STANDARD

"E" STANDARD TO 3"

| SCHEDULE |                              |                             |                                       |                               |                                |                          | STANDARD FEATURES   |  |
|----------|------------------------------|-----------------------------|---------------------------------------|-------------------------------|--------------------------------|--------------------------|---|--|
| QTY.     | "A"<br>EOPT.<br>BASE<br>I.D. | "B"<br>CURB<br>BASE<br>O.D. | "E"<br>ROOF<br>INS.<br>THICK-<br>NESS | "H"<br>OVER-<br>ALL<br>HEIGHT | "F"<br>DMPR.<br>FLANGE<br>SIZE | OPTIONS<br>BY<br>LETTERS |   |  |
|          |                              |                             |                                       |                               |                                |                          | 1. .063 ALUM. <input type="checkbox"/> OR 18 GA. GALV. <input type="checkbox"/><br>IN SIZES THROUGH 48" x 48"           |  |
|          |                              |                             |                                       |                               |                                |                          | 2. .080 ALUM. <input type="checkbox"/> OR 16 GA. GALV. <input type="checkbox"/><br>IN SIZES 49" x 49" THROUGH 72" x 72" |  |
|          |                              |                             |                                       |                               |                                |                          | 3. 1 1/2" THICK RIGID BOARD INSULATION  |  |
|          |                              |                             |                                       |                               |                                |                          | 4. 1 1/2" x 1 1/2" WOOD NAILER  |  |
|          |                              |                             |                                       |                               |                                |                          | - OPTIONS -   |  |
|          |                              |                             |                                       |                               |                                |                          | "F" - DAMPER FLANGE   |  |
|          |                              |                             |                                       |                               |                                |                          | "L" - 22 GA. INSIDE LINER   |  |
|          |                              |                             |                                       |                               |                                |                          | "HX" - EXTENDED CURB HT. OVER 8" STANDARD   |  |
|          |                              |                             |                                       |                               |                                |                          | "EX" - "E" DIMENSION OVER 3" STANDARD   |  |

# NORLOCK

2651 St. Marys Avenue

# METAL PRODUCTS

Omaha, Nebraska 68105

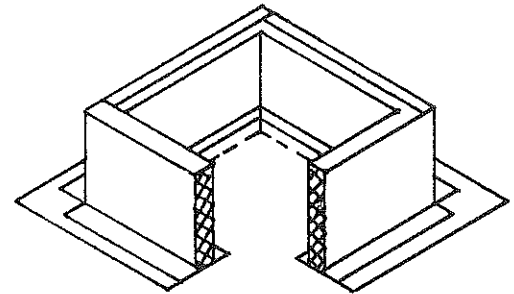
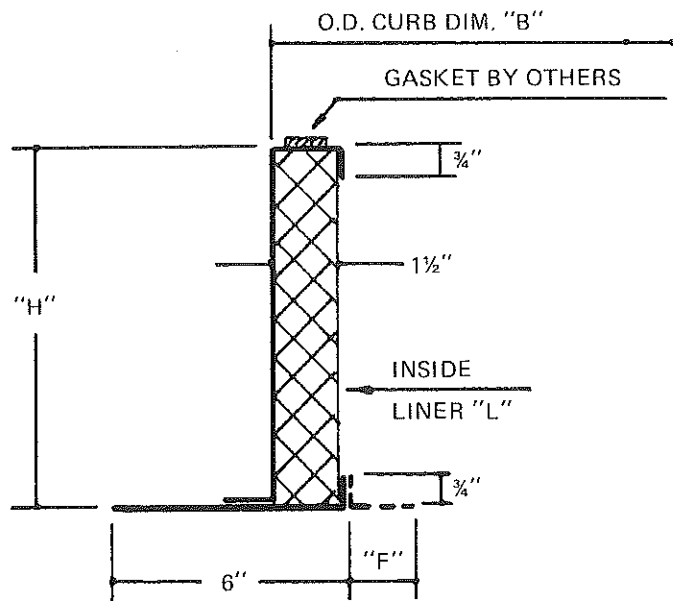
JOB \_\_\_\_\_ JOB NO. \_\_\_\_\_

ADDRESS \_\_\_\_\_ CONTRACTOR \_\_\_\_\_

CITY \_\_\_\_\_ DATE \_\_\_\_\_ DWG. \_\_\_\_\_

# NORLOCK TYPE "F"

# INSULATED ROOF CURB



"H" + 8" STANDARD

| SCHEDULE |                              |                             |                               |                                |                          | STANDARD FEATURES                         |  |
|----------|------------------------------|-----------------------------|-------------------------------|--------------------------------|--------------------------|---|--|
| QTY.     | "A"<br>EQPT.<br>BASE<br>I.D. | "B"<br>CURB<br>BASE<br>O.D. | "H"<br>OVER-<br>ALL<br>HEIGHT | "F"<br>DMPR.<br>FLANGE<br>SIZE | OPTIONS<br>BY<br>LETTERS |   |  |
|          |                              |                             |                               |                                |                          | 1. .063 ALUM. <input type="checkbox"/>    | OR 18 GA. GALV. <input type="checkbox"/> |
|          |                              |                             |                               |                                |                          | IN SIZES THROUGH 48" x 48"                |  |
|          |                              |                             |                               |                                |                          | 2. .080 ALUM. <input type="checkbox"/>    | OR 16 GA. GALV. <input type="checkbox"/> |
|          |                              |                             |                               |                                |                          | IN SIZES 49" x 49" THROUGH 72" x 72"      |  |
|          |                              |                             |                               |                                |                          | 3. 1 1/2" THICK RIGID BOARD INSULATION    |  |
|          |                              |                             |                               |                                |                          | - OPTIONS -                               |  |
|          |                              |                             |                               |                                |                          | "F" - DAMPER FLANGE                       |  |
|          |                              |                             |                               |                                |                          | "L" - 22 GA. INSIDE LINER                 |  |
|          |                              |                             |                               |                                |                          | "HX" - EXTENDED CURB HT. OVER 8" STANDARD |  |

# NORLOCK

2651 St. Marys Avenue

# METAL PRODUCTS CO.

Omaha, Nebraska 68105

JOB \_\_\_\_\_ JOB NO. \_\_\_\_\_

ADDRESS \_\_\_\_\_ CONTRACTOR \_\_\_\_\_

CITY \_\_\_\_\_ DATE \_\_\_\_\_ DWG. \_\_\_\_\_